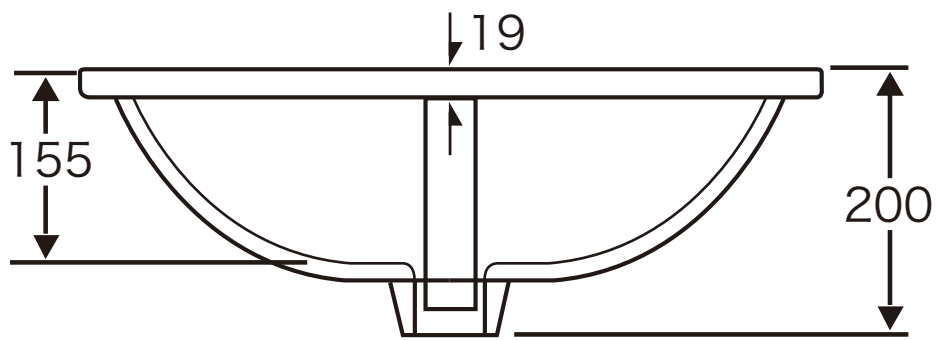
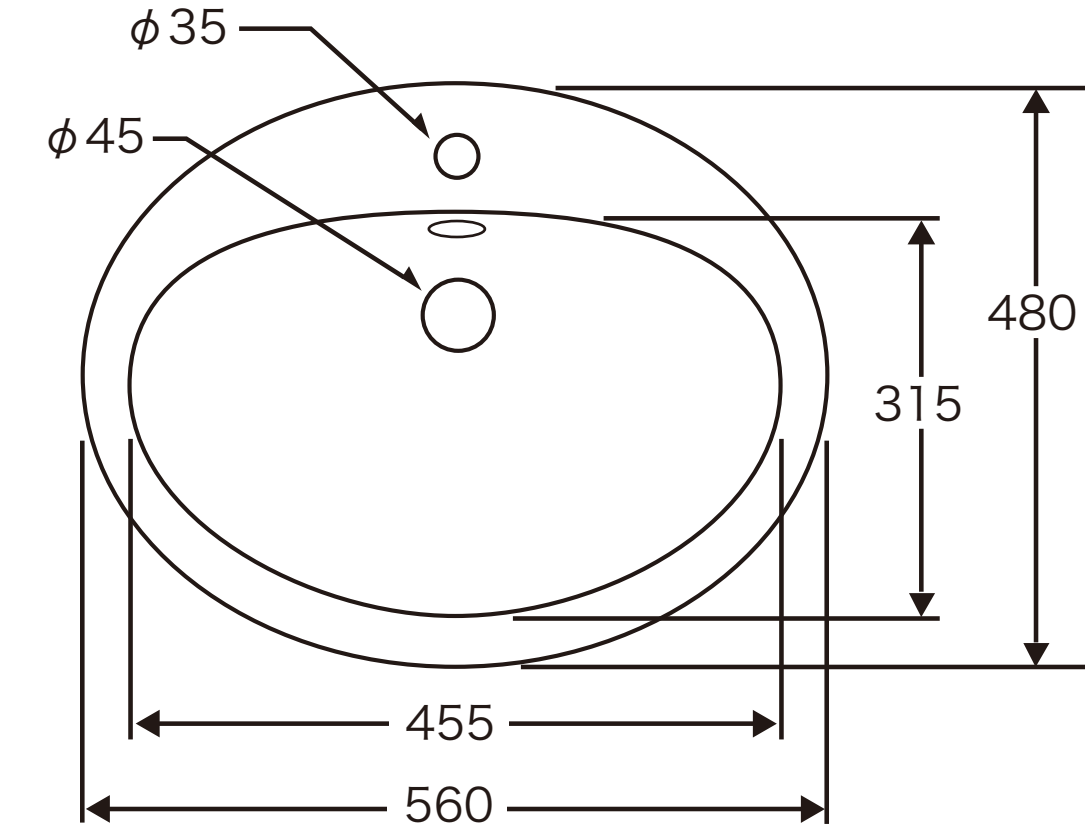
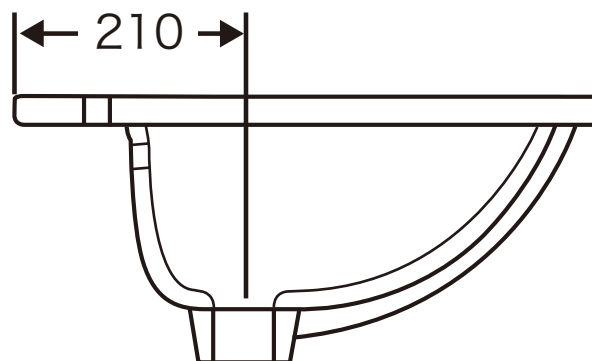


B-005(1穴)

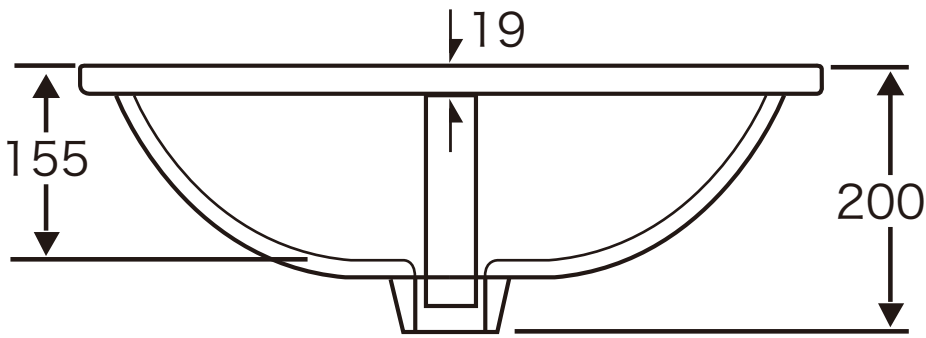
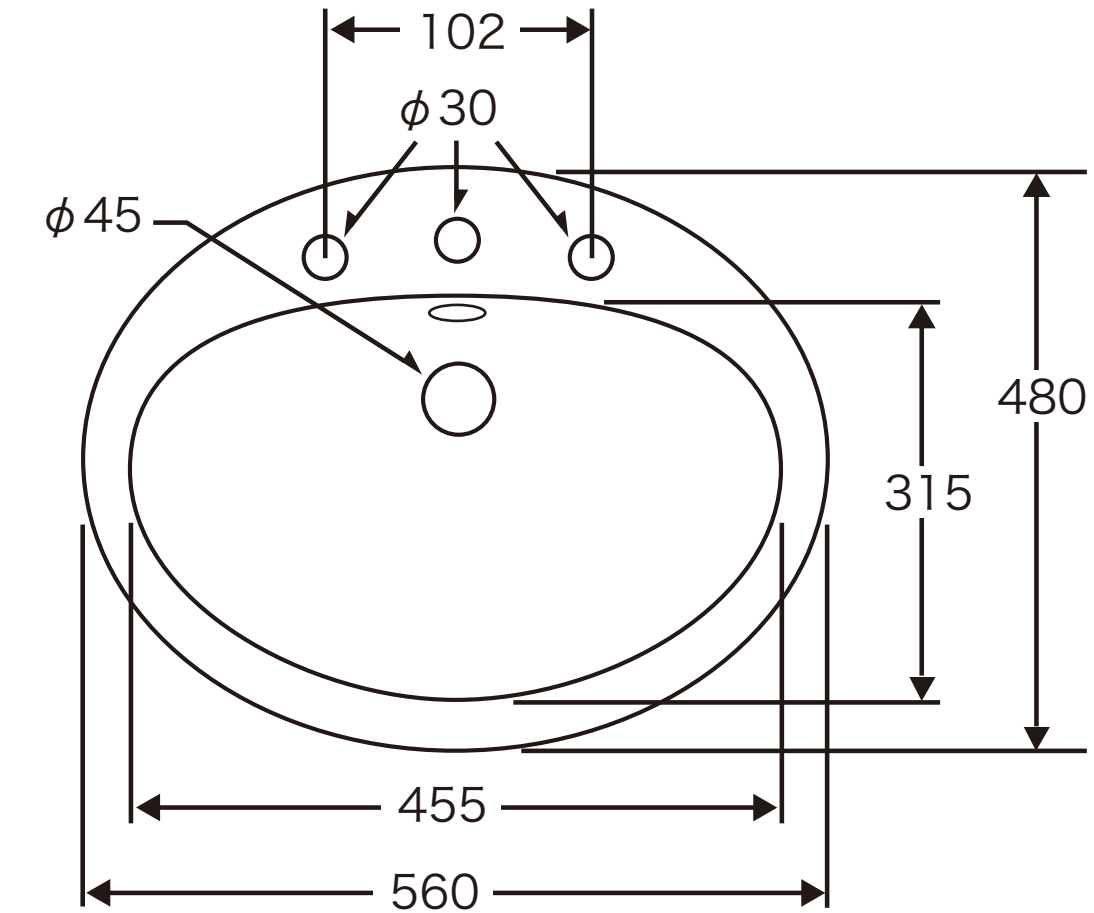


**FRONT**

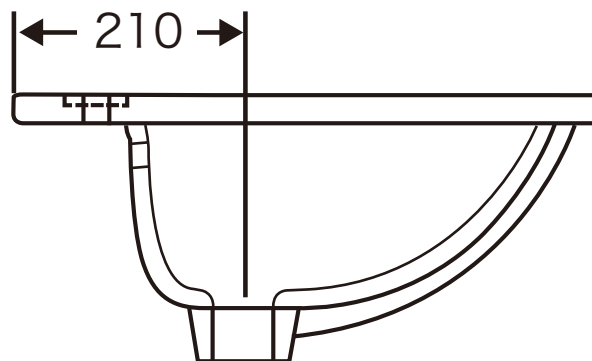


**SIDE**

B-005 (3 穴)



**FRONT**



**SIDE**