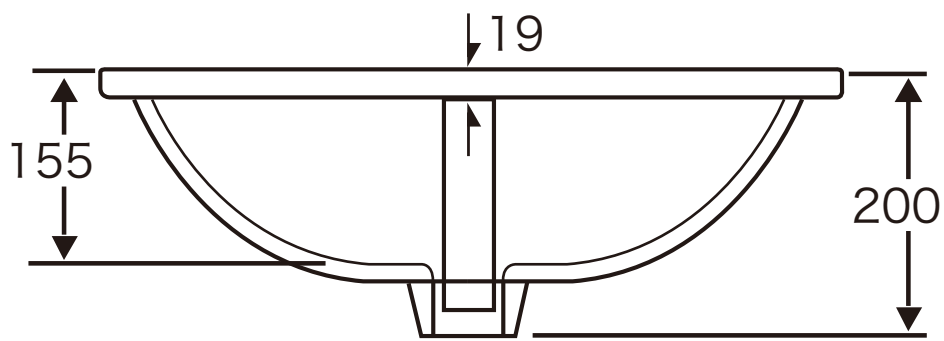
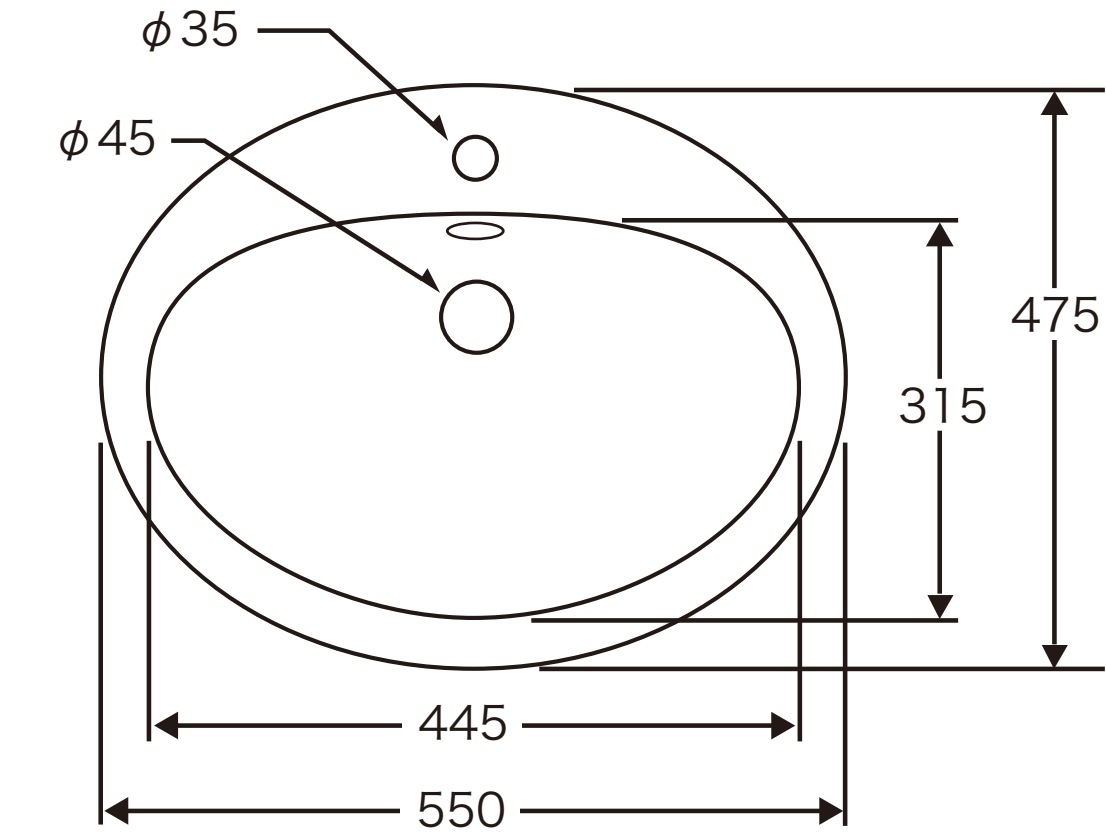
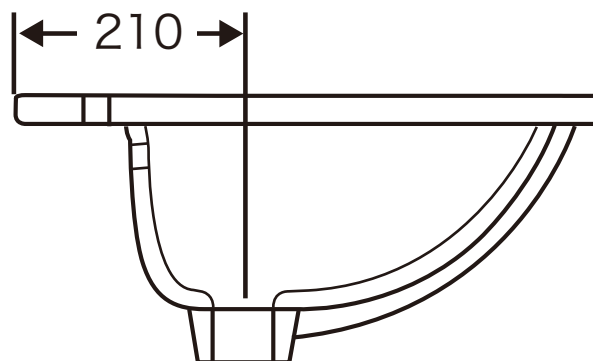


B-006(1穴)

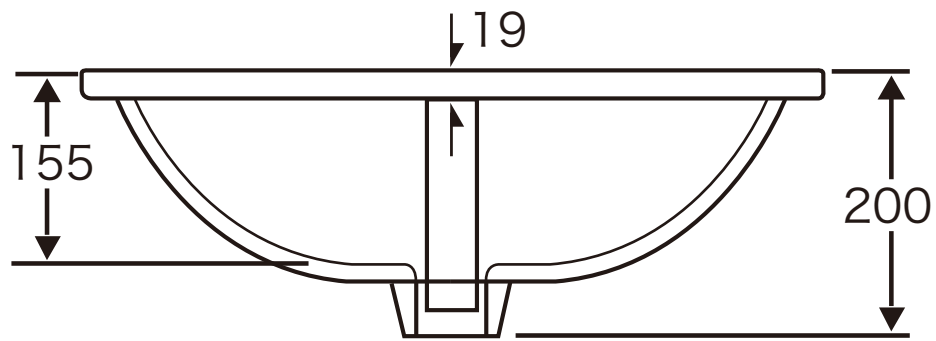
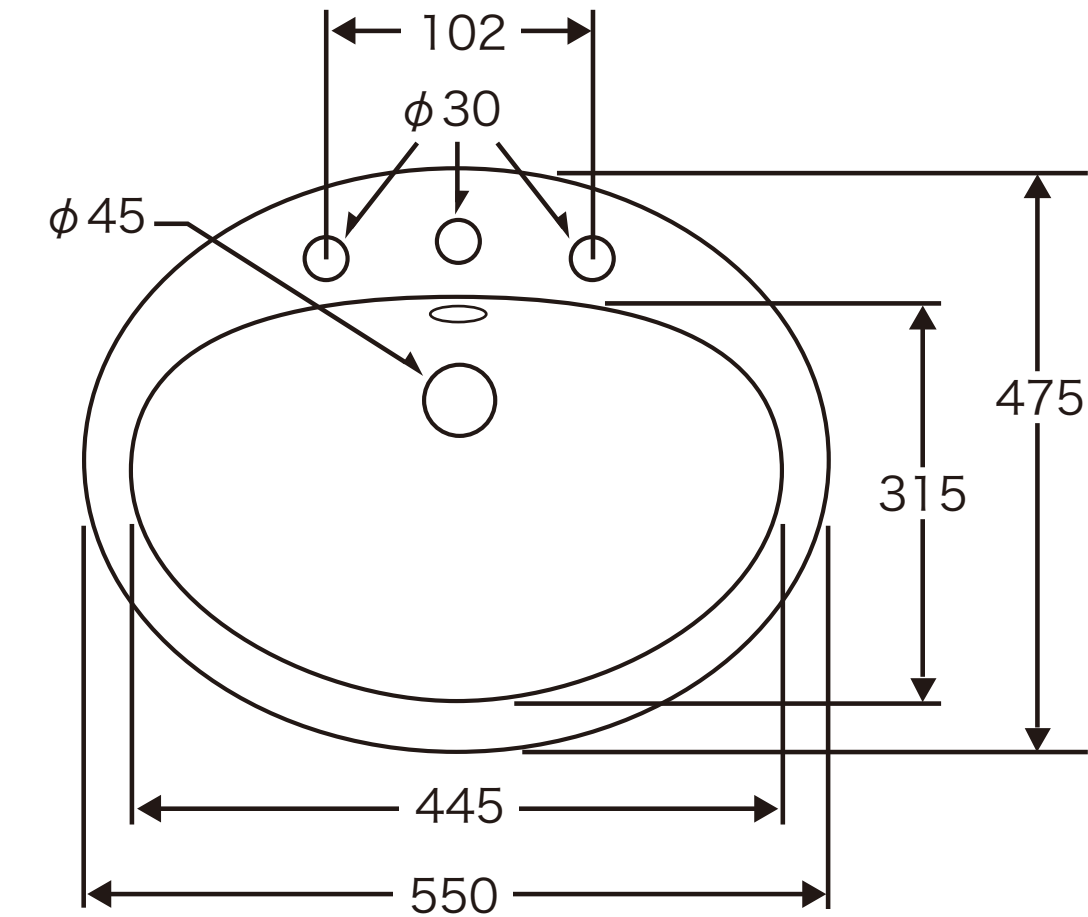


FRONT

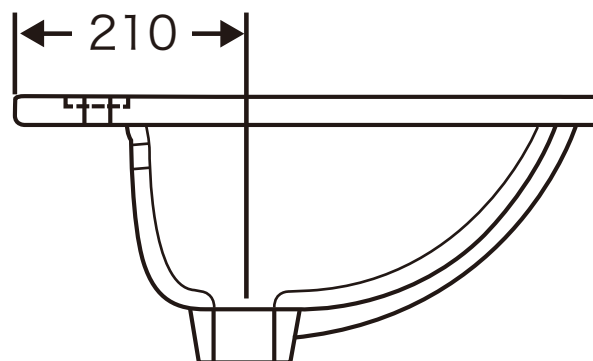


SIDE

B-006(3穴)



FRONT



SIDE