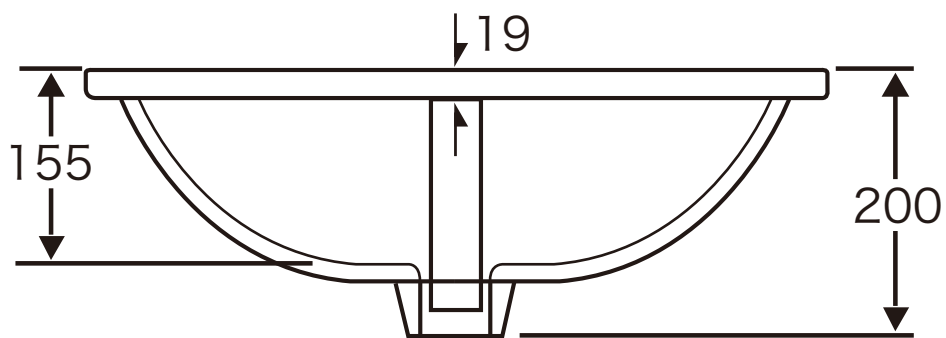
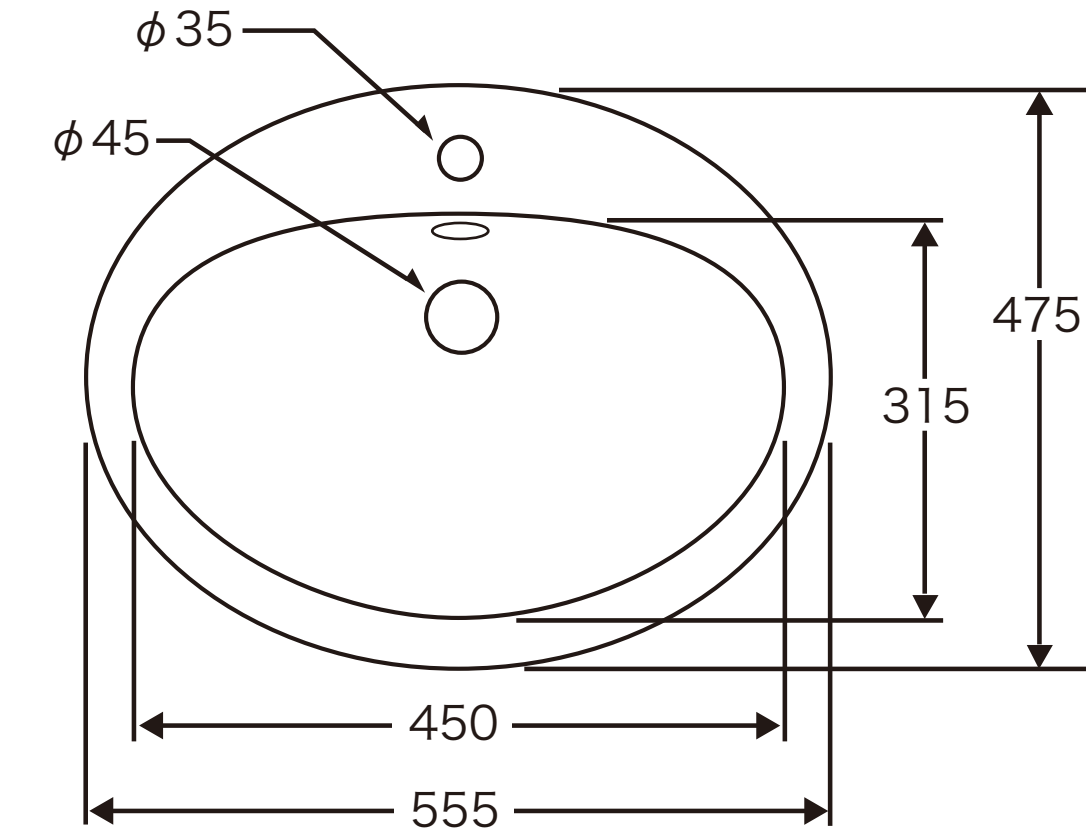
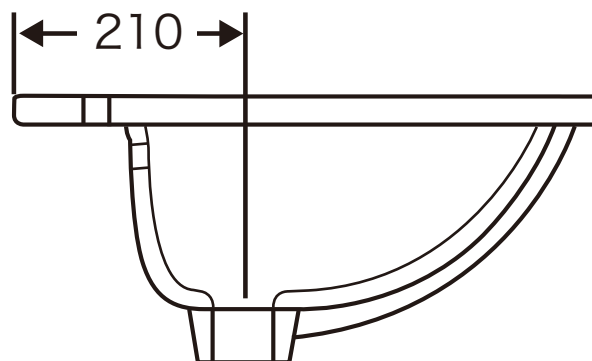


B-022(1穴)

B-023(1穴)



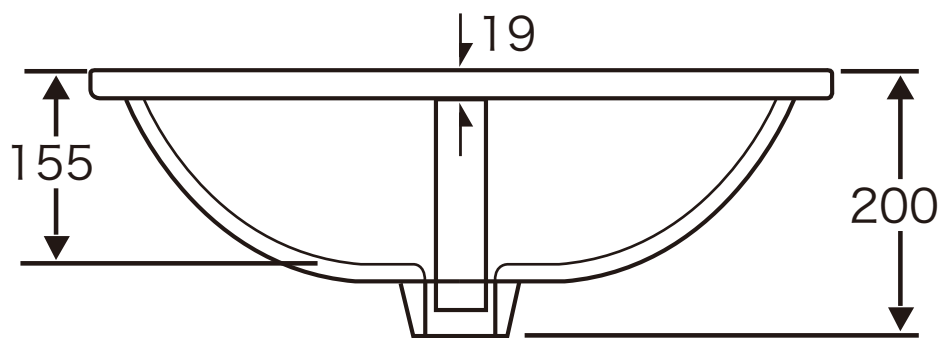
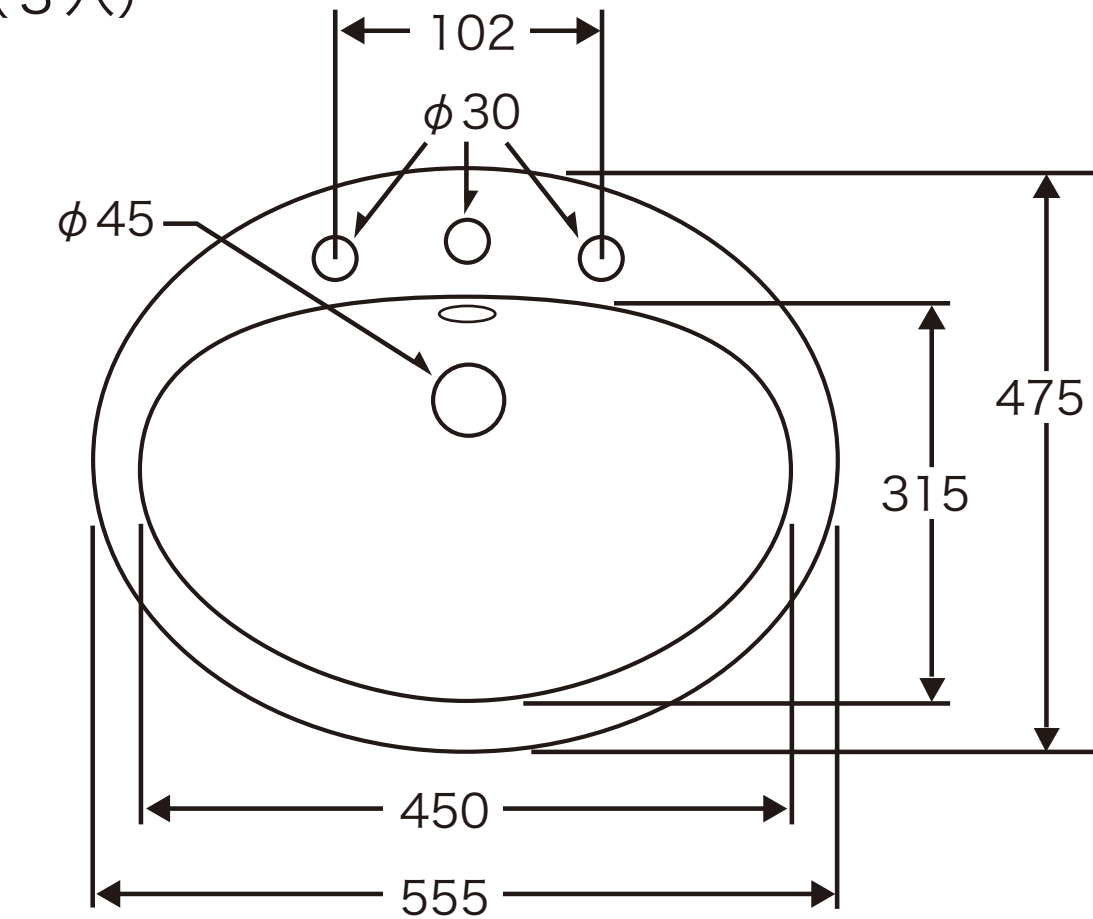
FRONT



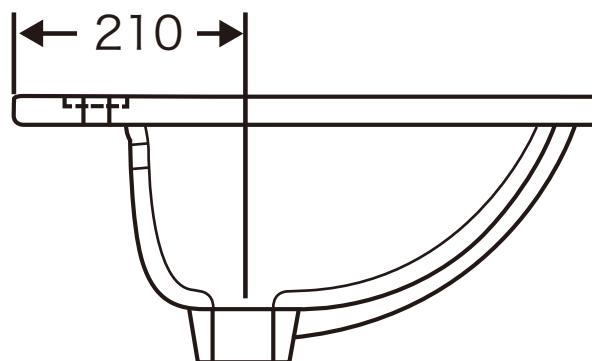
SIDE

B-022(3穴)

B-023(3穴)



FRONT



SIDE